

**INSTALLATION INSTRUCTIONS**  
**LED PARKING STRUCTURE**  
**SURFACE MOUNT**

Document: CI320X01R1

Date: 2011-09-29

Created by: AJB

DCR#: 11-196



**CAUTIONS:**

**IMPORTANT SAFEGUARDS**

When using electrical equipment, basic safety precautions should always be followed including the following:

**READ AND FOLLOW ALL SAFETY INSTRUCTIONS**

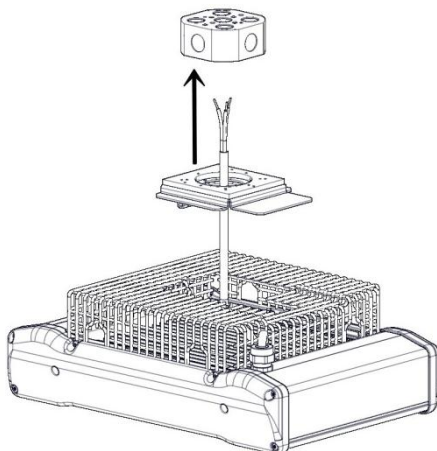
1. To reduce the risk of electrical shock, turn off power supply before installation or servicing.
2. This luminaire must be installed in accordance with the NEC and your local electrical code. If you are not familiar with these codes and requirements, consult a qualified electrician.
3. When handling, hold fixture on sides to prevent damage to the top screen or LED's.
4. Take care to keep the LED lenses clean during installation.
5. **This fixture contains a universal LED driver and can be operated at voltages of 120V thru 277V.**

**SAVE THESE INSTRUCTIONS FOR FUTURE REFERENCE**

**MOUNTING – CEILING MOUNT BOX**

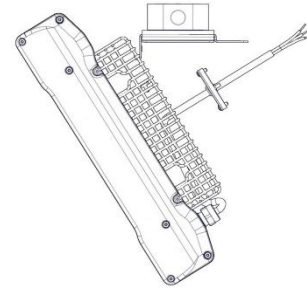
1. Loosen the Phillips head screw holding the mounting bracket to the fixture cage by inserting a Phillips screw driver thru the access hole located on the side of the fixture cage. Remove bracket.
2. Loosen the (2) Phillips head screws holding the cord plate assembly to the mounting bracket and remove the bracket.
3. Install the mounting bracket to the customer supplied J-box with the gasket facing the J-box. Tighten J-box screws firmly. **See Figure 1.**

**FIGURE 1**



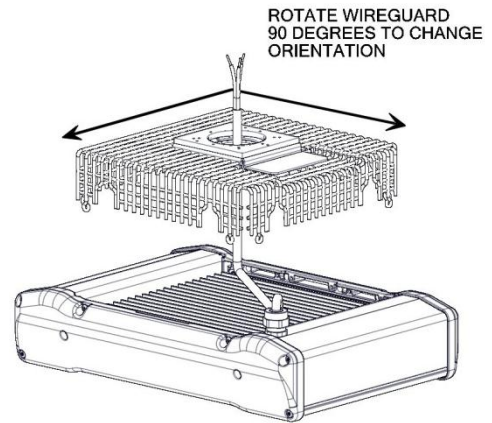
4. Route supply wires thru the mounting bracket. For ease of installation, hang fixture on mounting bracket hook. **See Figure 2.**

**FIGURE 2**



**NOTE:** For some mounting locations that would prevent the fixture from sliding into the mounting bracket, the position of the fixture cage may be changed. See Figure 3. To do this, remove the (4) screws holding the cage to the fixture and rotate the cage 90°. Replace and tighten screws.

**FIGURE 3**



5. Complete electrical connections as appropriate. Reference Electrical Connections section.
6. Push excess leads into J-box thru the mounting bracket and install the cord plate assembly on the j-box mounting bracket. Tighten screws firmly.
7. Remove the fixture from the hook and slide the fixture cage over the mounting bracket. Secure fixture to mounting bracket by tightening screw removed in Step 1.

**ELECTRICAL CONNECTIONS**

1. Using customer supplied 90°C minimum rated wire connectors, make the following electrical connections.
  - a. Connect the black fixture lead to the hot supply lead.
  - b. Connect the white fixture lead to the neutral (white) lead or the second hot lead in the case of 208V power supply.
  - c. Connect the green or green/yellow ground lead to the supply ground lead.
2. Complete fixture installation per mounting instructions.