

INSTALLATION INSTRUCTIONS – **XCP SURFACE MOUNT**

Document: CI350X01R1

Date: 01-25-2011

Created by: AJB

DCR#: 11-033

! CAUTIONS

IMPORTANT SAFEGUARDS

When using electrical equipment, basic safety precautions should always be followed including the following:

READ AND FOLLOW ALL SAFETY INSTRUCTIONS

1. To reduce the risk of electrical shock, turn off power supply before installation or servicing.
2. This fixture must be installed in accordance with the NEC and your local electrical code. If you are not familiar with these codes and requirements, consult a qualified electrician.
3. This fixture must be supported by building structure that is capable of supporting the fixture's weight.
4. The standard fixture is provided with an LED driver that can be operated at input voltages between 120V and 277V. Verify supply voltage before making any electrical connections.

NOTES:

1. This sheet contains instructions for installing various versions of the fixture, as shown in Figures 1-4. Install fixture per the appropriate instructions.
2. Use a 1/4 inch socket driver to avoid stripping the screws.

INSTALLATION OF DIRECT MOUNT

1. See Figure 1. Remove the junction box mounting bracket from the fixture by loosening its 2 screws, and sliding it out of the channels of the fixture support bracket.
2. Attach the junction box mounting bracket to the building's junction box, using the junction box's screws.
3. Temporarily hang the fixture from the hook-shaped projection on the junction box mounting bracket as shown in Figure 1.
4. Make the electrical connections per the Electrical Connection section below.
5. Secure the cord plate/gasket assembly to the junction box and bracket via its 2 screws.
6. Remove the fixture from the junction box mounting bracket and slide the channels on the fixture support bracket onto the flanges of the junction box mounting bracket.
7. Secure the fixture to the bracket via its 2 screws.

INSTALLATION OF PENDANT MOUNT

1. See Figure 2. This fixture employs a 7 foot long power supply cord. Size the pendant and locate the junction box accordingly. Ensure that the pendant is capable of supporting the weight of the fixture.

2. Install a suitable Listed cord strain relief bushing in the junction box, and feed the fixture's supply cord through it. Tie an overhand knot in the cord inside the junction box.
3. Connect the cord to the supply wiring as described in the Electrical Connection section below. Attach the junction box cover/pendant assembly to the junction box via its screws.
4. Secure the pendant to the fixture mounting bracket via a suitable conduit fitting (not supplied).

INSTALLATION OF HOOK MOUNT

1. See Figure 3. This fixture employs a 2 foot long power supply cord. Locate the junction box accordingly.
2. Hang the fixture from a suitable eyebolt while retracting the hook's retaining spring.
3. Install a suitable Listed cord strain relief bushing in the junction box, and feed the fixture's supply cord through it. Tie an overhand knot in the cord inside the junction box.
4. Connect the cord to the supply wiring as described in the Electrical Connection section below.
5. Level the fixture by loosening the adjusting screw on the hook mount bracket, then slide the fixture along the hook until it is level, and retighten the screw.

FIGURE 1:

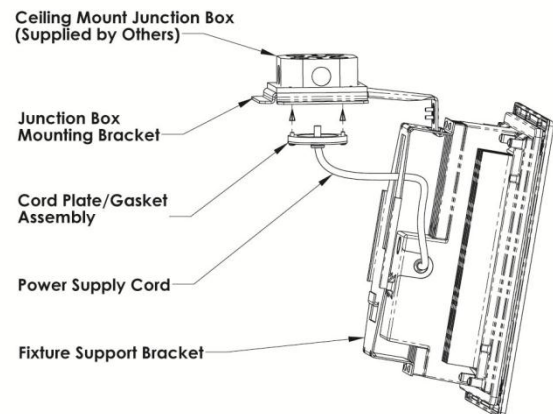
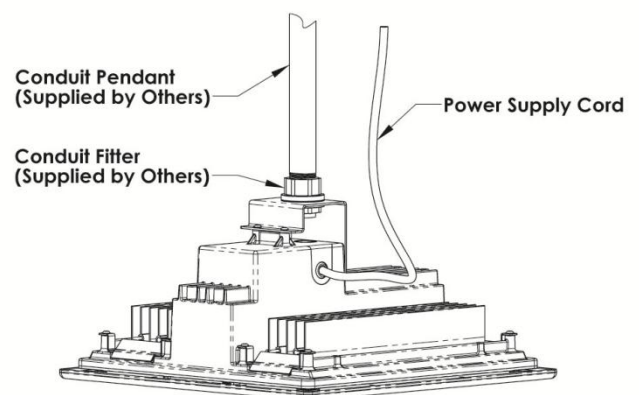


FIGURE 2:



**INSTALLATION INSTRUCTIONS –
XCP SURFACE MOUNT**

Document: CI350X01R1

Date: 01-25-2011

Created by: AJB

DCR#: 11-033

FIGURE 3:

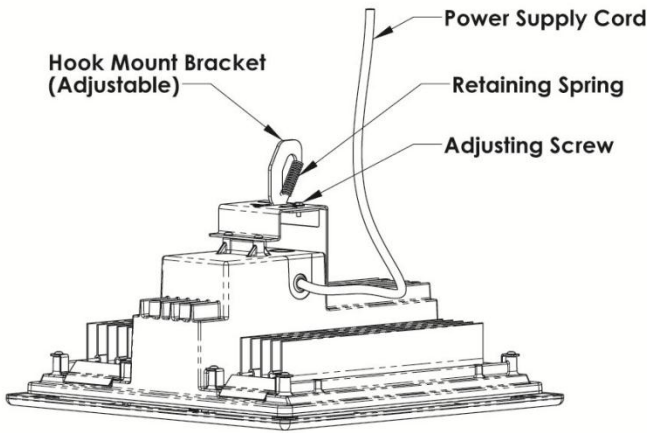
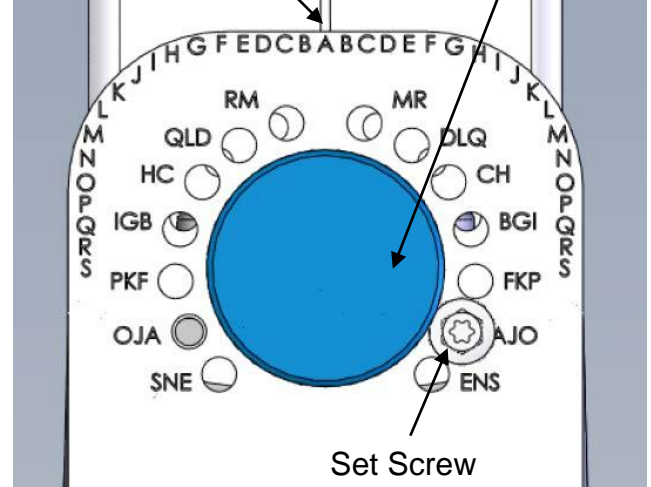


FIGURE 5: Alignment Slot Adjustment Knob



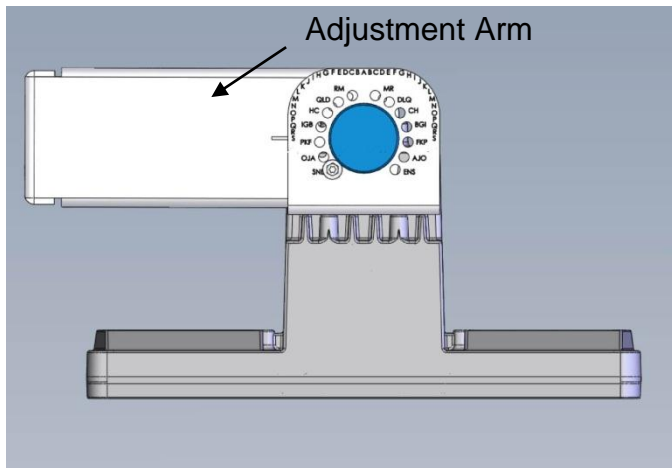
INSTALLATION OF ADJUSTABLE MOUNT

1. Secure the top of the Adjustable Arm to mounting surface with screws (supplied by others).
2. Connect the cord to the supply wiring as described in the Electrical Connection section below.
3. If desired, the luminaire can be adjusted as follows:
 - a. Remove Set Screw (See Figure 5).
 - b. Loosen Adjustment Knob (see Figure 5).
 - c. Rotate fixture to desired position. Use the alignment slot (shown in Figure 5) to align with a letter in the table in Figure 6, which will correspond to the fixture degree. (NOTE: Figure 4 is shown at 0 degrees.)
 - d. Tighten Adjustment Knob to hold fixture in place.
 - e. Insert Set Screw into hole that corresponds with letter in Figure 6.

FIGURE 6:

DEGREE	ADJUSTABLE FIXTURE POSITION (SEE FIGURE 5)
90	A
85	B
80	C
75	D
70	E
65	F
60	G
55	H
50	I
45	J
40	K
35	L
30	M
25	N
20	O
15	P
10	Q
5	R
0	S

FIGURE 4:



ELECTRICAL CONNECTION

NOTE: This fixture is supplied with a surge suppressor. Do not disconnect it during the installation process.

1. Verify that the supply voltage is within the fixture's voltage rating.
2. Locate the electrical supply wiring in the ceiling junction box.
3. Connect the supply wiring to the fixture's supply cord as follows:
 - Ground (green) to green conductor
 - Line (black) to black conductor
 - Neutral (white) to white conductor