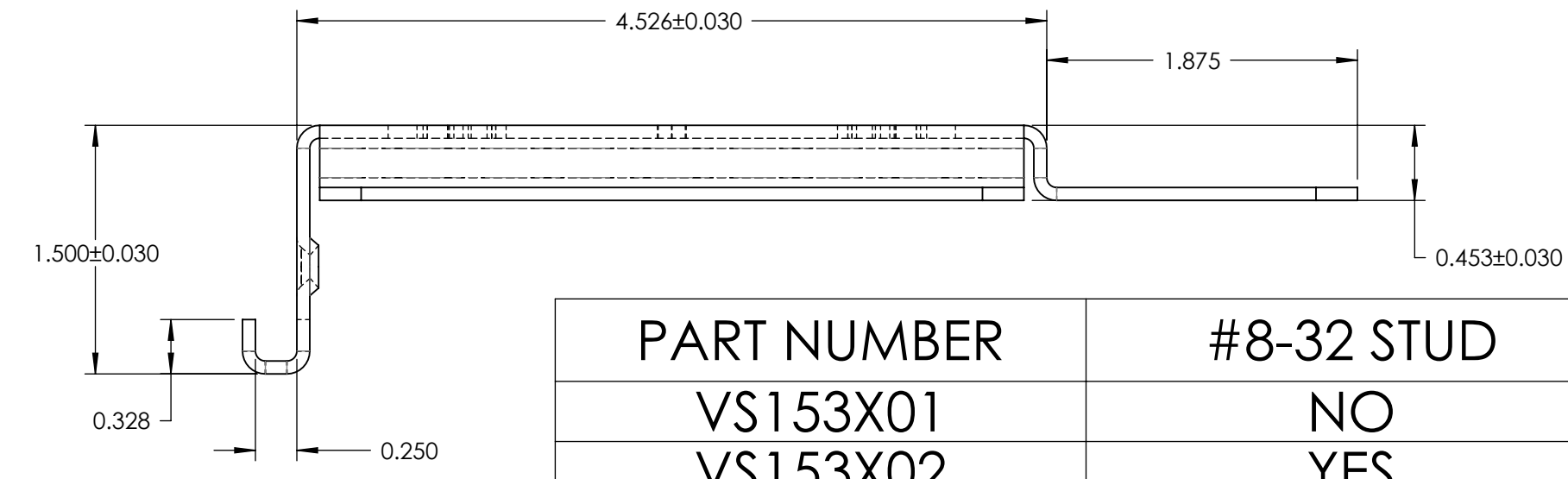
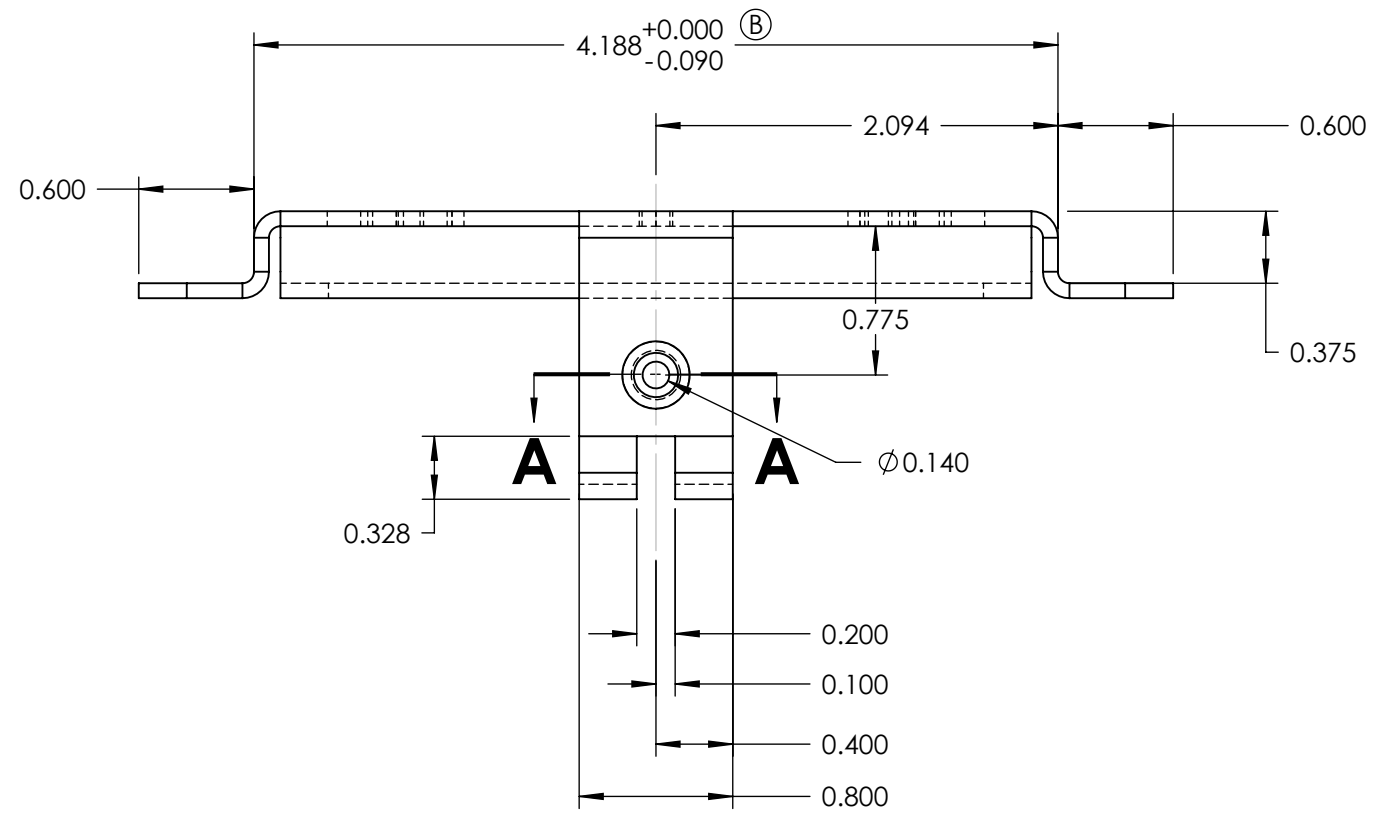
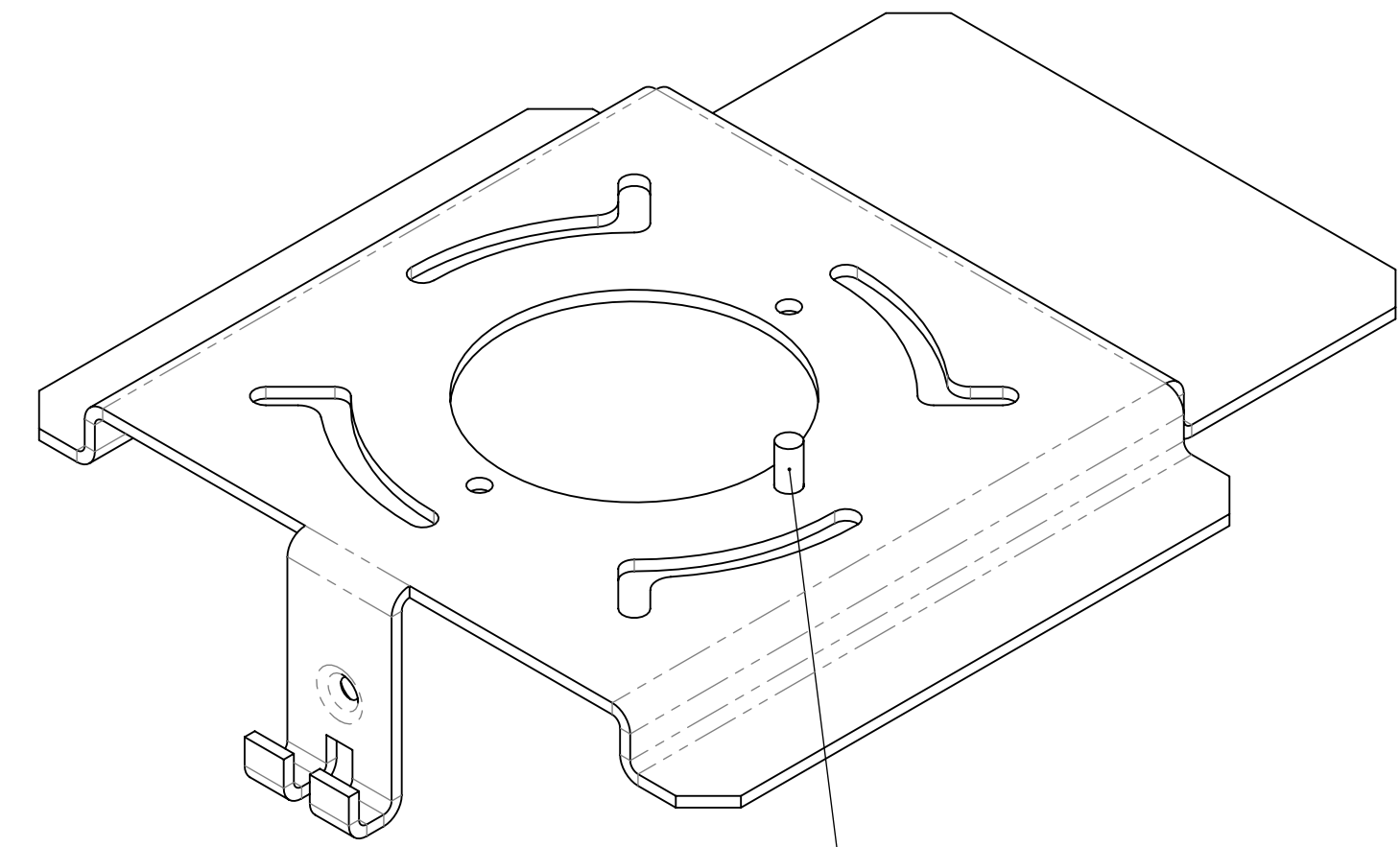
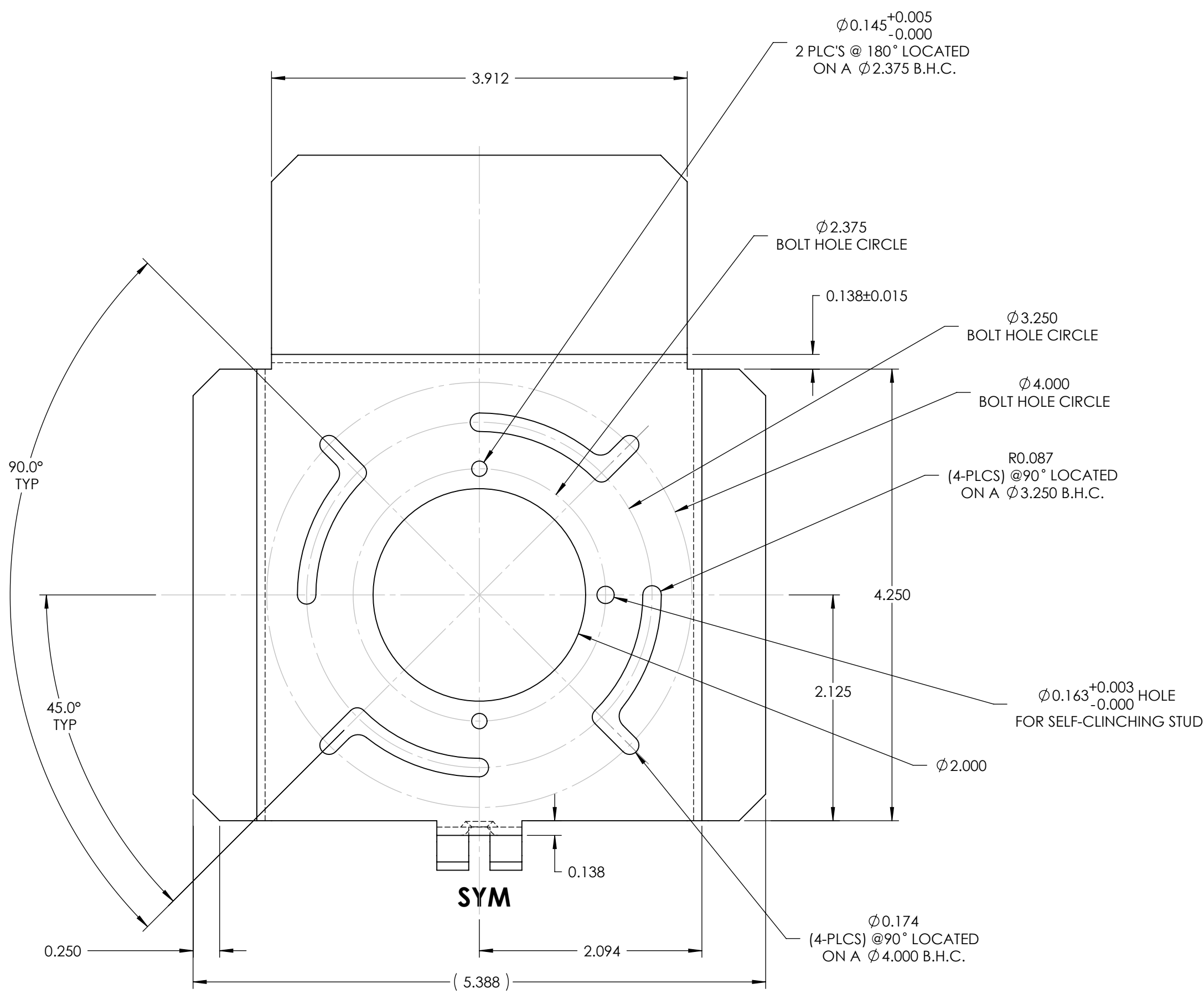


REVISIONS			
REV.	DESCRIPTION	BY	DCR
A	RELEASE FOR PRODUCTION	MJK	11-196
B	WAS 4.188±0.030	MJK	12-073



PART NUMBER	#8-32 STUD
VS153X01	NO
VS153X02	YES

**ALL SELF-CLINCHING FASTENERS
MUST BE INSERTED BY FABRICATOR**

CONFIDENTIAL

CONTAINS TRADE SECRETS AND PROPRIETARY INFORMATION OF RUUD LIGHTING, INC. DUPLICATION, DISCLOSURE, AND USE ARE FORBIDDEN WITHOUT THE PRIOR WRITTEN CONSENT OF RUUD LIGHTING, INC.

PART NO.
VS153X01R1/X02R1

DO NOT MANUALLY UPDATE OR SCALE. SOLID MODEL GEOMETRY AVAILABLE.		RUUD LIGHTING, INC.	
DIMENSIONS ARE INCHES (MILLIMETERS)		DRAWN BY: Mike Koniczko	
DEFAULT TOLERANCES:		CREATION DATE: 06-08-2011	
1 PLACE DECIMAL +/- 0.060 [1.52]		APPROVAL DATE: 03-23-2012	
2 PLACE DECIMAL +/- 0.030 [0.76]		DWG. SIZE: C	
3 PLACE DECIMAL +/- 0.010 [0.25]		MODEL NAME: VS153X01	
4 PLACE DECIMAL +/- 0.005 [0.13]		MODEL REV. A	
ANGULAR +/- 1 DEGREE		TITLE: BRACKET, UNIVERSAL WIREGARD MOUNT LED PARKING FIXTURE	
MASS: 0.685 lbs	VOL: 2.431 cu.in.	SCALE: 1:1	DWG. NUMBER: VS153X01-X02B
FINISH: AS NOTED		REVISION: 1	SHEET 1 OF 1

- NOTES:
- MAXIMUM BURR HEIGHT TO BE THE SMALLER OF THE FOLLOWING:
A) 10% OF MATERIAL THICKNESS
B) 0.007"
 - ALL BENDS TO BE 90° UNLESS OTHERWISE SPECIFIED.
 - INSIDE BEND RADII TO BE 0.060 UNLESS OTHERWISE SPECIFIED.
 - ALL DIMENSIONS MEASURED FROM THEORETICAL SHARP CORNERS.
 - PART TO BE FREE OF GREASE & OIL.
 - K-factor FOR SHEETMETAL BEND ALLOWANCE IS SET AT 0.333

