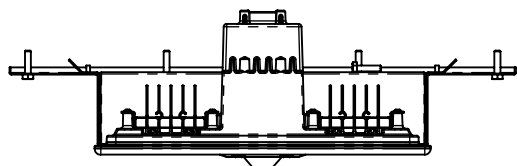
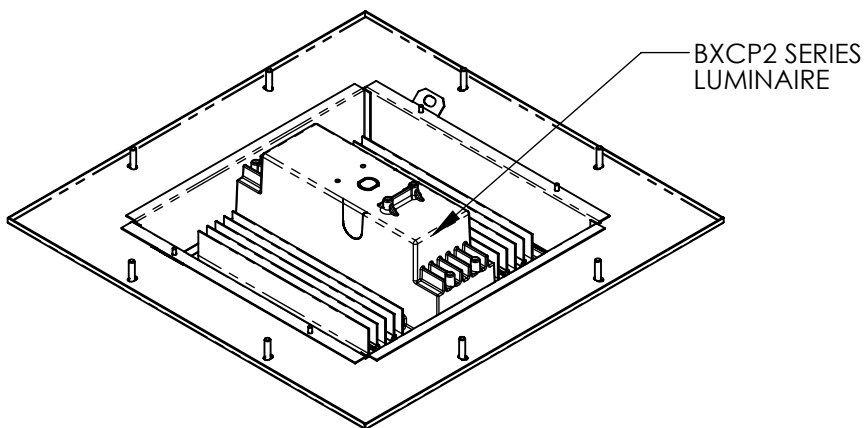
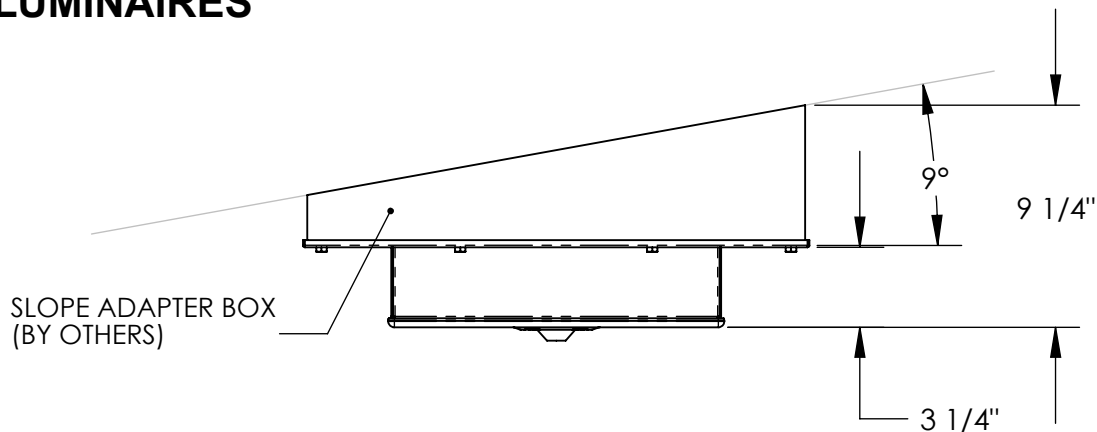


SLOPE ADAPTER INTEGRATION PLATE MOUNT FOR USE WITH 9 DEGREE SLOPE ADAPTER (BY OTHERS) ALLOWS MOUNTING OF 304 SERIES LUMINAIRES

FEATURES:

- FORMED STEEL INTEGRATION FINISHED WITH DELTA GUARD (TM) WHITE POWDER COAT PAINT
- MOUNTS TO EXISTING SLOPE ADAPTER BY OTHER
- MOUNTS 304 SERIES LUMINAIRES- LIMITS FIXTURE OPERATION CHOICES TO 350mA OR 525mA. 700mA OPERATION NOT AVAILABLE
- FIXTURE WIRED DIRECTLY WITH 1/2" NPT FITTING AND FLEXIBLE CONDUIT (BY OTHERS)
- FIXTURE IS UL LISTED FOR WET LOCATIONS
- SEE LUMINAIRE SPEC SHEET FOR FULL FIXTURE DETAILS



SECTION A-A

