

Sump/Entry Termination Fitting with Gasket



1. Determine entry hole location and cut entry hole in sump wall using dimensions in Table 1.
2. Place sump entry/termination fitting through hole with the threads on the inside of the sump wall. A maximum of 2° of offset is acceptable for a proper seal on a flat surface.

Size	A	B	C
In.	In.	In.	In.
3" x 2"	6.88	4.00	4.00
4" x 3"	6.88	4.00	5.00

For a rounded surface, no offset will be allowed; pipe must be perpendicular to the sump.

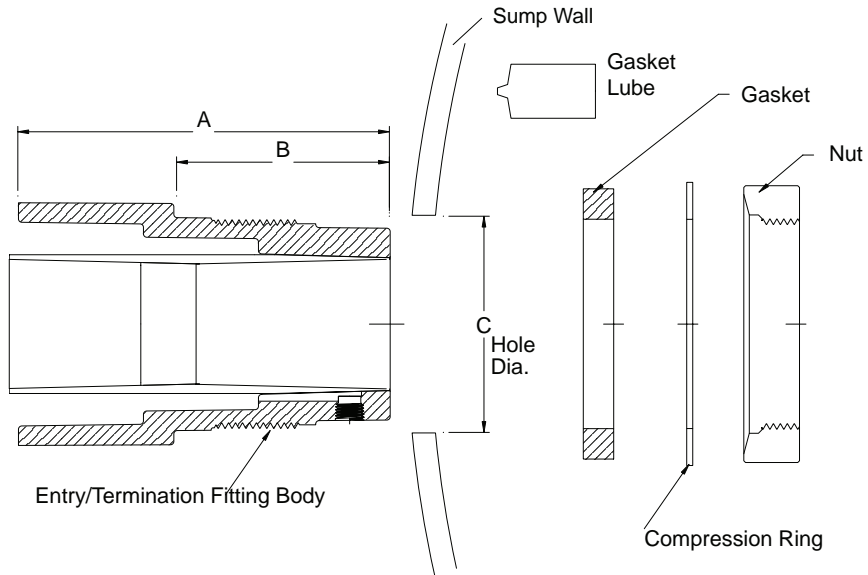
3. Locate 1/4" threaded outlet to the desired location.

If this fitting is used in an Open (Drainage) System, locate the 1/4" threaded outlet in the "South" position. Leave 1/4" plastic threaded outlet protector in place until 1/4" fitting installation.

4. Lube gasket with the provided lubricant and place over the threads and against the sump wall.
5. Place compression ring next to gasket.
6. Thread nut onto fitting hand tight. **Do not tighten until system completion.**

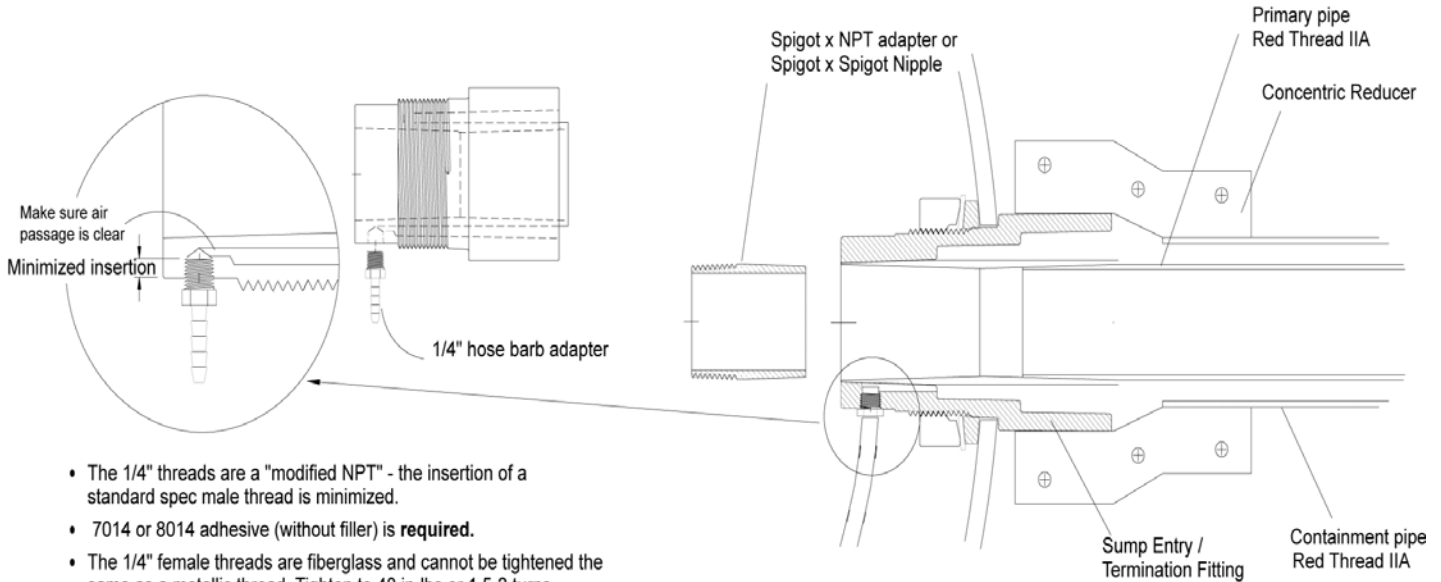
7. Remove 1/4" plastic threaded outlet protector. **Apply adhesive only** to the 1/4" fitting and screw into 1/4" threaded outlet. Tighten to 40 in.-lbs. or 1 1/2-2 turns past hand tight. After installing fitting, be sure the interstitial space is free from excess adhesive. Install a short hose and blow excess adhesive through air passage. **NOTE:** Verify with testing company or monitoring manufacturer if a larger thread is needed for their equipment. After the port fitting is installed, do not remove.
8. Connect only flexible tubing or hoses to the port fitting. **NOTE:** Tubing or hoses must be rated to full vacuum.

9. Tighten nut for gasket seal at sump locations prior sump test.



Maximum Acceptable Sump Wall Thickness "T"			
Fitting Size	Round 42" Sump	Round 48" Sump	Flat Dispenser
	"T"	"T"	"T"
3" x 2"	3/8"	3/8"	1/2"
4" x 3"	5/16"	3/8"	1/2"

TERMINATION EXAMPLE using
SUMP ENTRY/TERMINATION FITTINGS



- The 1/4" threads are a "modified NPT" - the insertion of a standard spec male thread is minimized.
- 7014 or 8014 adhesive (without filler) is **required**.
- The 1/4" female threads are fiberglass and cannot be tightened the same as a metallic thread. Tighten to 40 in-lbs or 1.5-2 turns.
- After installing a 1/4" NPT fitting, the passageway to the piping interstitial space should be cleared with air pressure to insure that it is free of thread sealant and/or adhesive.

Use concentric reducer to connect the sump entry/termination fitting to secondary containment pipe; **DO NOT USE clamshell termination fittings with this style fitting.**

National Oilwell Varco has produced this brochure for general information only, and it is not intended for design purposes. Although every effort has been made to maintain the accuracy and reliability of its contents, National Oilwell Varco in no way assumes responsibility for liability for any loss, damage or injury resulting from the use of information and data herein nor is any warranty expressed or implied. Always cross-reference the bulletin date with the most current version listed at the web site noted in this literature.



North America
17115 San Pedro Ave. Suite 200
San Antonio, Texas 78232 USA
Phone: 210 477 7500

South America
Avenida Fernando Simoes
Recife, Brazil 51020-390
Phone: 55 31 3501 0023

Europe
P.O. Box 6, 4190 CA
Geldermalsen, The Netherlands
Phone: 31 345 587 587

Asia Pacific
No. 7A, Tuas Avenue 3
Jurong, Singapore 639407
Phone: 65 6861 6118

Middle East
P.O. Box 17324
Dubai, UAE
Phone: 971 4881 3566